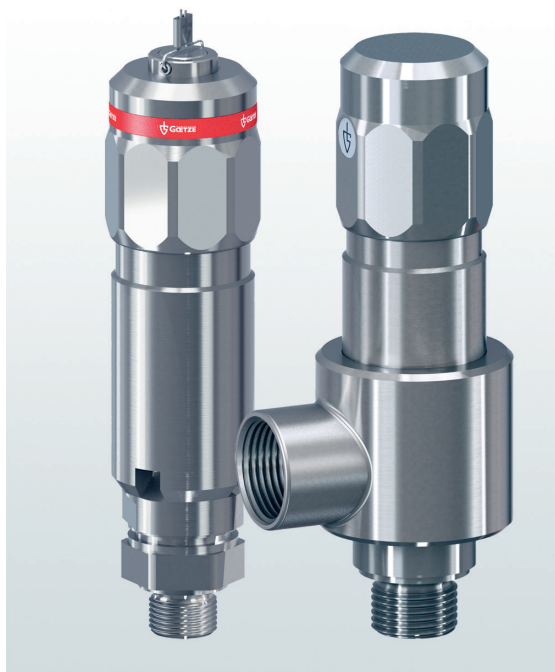


→ Series 492



■ SUITABLE FOR

Air, gases and vapours neutral and non-neutral



■ EXAMPLES OF USE

For the protection of:
 - pressure tanks and
 - pressure systems
 for air and other neutral and non-neutral gases.
 Please observe plant-specific regulations and use of appropriate valve version and sealing material.

- high-pressure compressors
- pressure tanks
- pressure cylinder pack
- CNG-applications

Safety valves are set and sealed at the factory.

■ APPROVALS

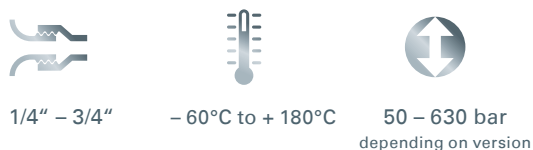
TÜV Type test approval 2076	D/G
EC type examination	S/G
ASME	G
CRN	G
TSG ZF001-2006	D/G (S/G)
KGS	G
TR ZU 032/2013 - TR ZU 010/2011	D/G (S/G)
Requirements	
AD 2000 Data sheet A2 DIN EN ISO 4126-1 PED 2014/68/EU	ASME-Code Sec. VIII Div. 1 KGS AA 319
Classification society	
DNVGL Lloyd's Register EMEA Bureau Veritas Russian Maritime Register of Shipping	DNVGL LR EMEA BV RS



■ MATERIAL



■ SPECIFICATION



■ MATERIALS

Component	Material	DIN EN	ASME
Inlet body	Stainless steel	1.4404	316 L
Outlet body	Stainless steel	1.4404	316 L
Internal parts	Stainless steel	1.4404	316 L
Spring	Spring steel	VDSiCr	

Series 492 ■ VALVE VERSION

s	Standard	cylindrical form, atmospheric discharge, for air and similar neutral, non-toxic and non-flammable gases that can be freely discharged into the atmosphere.
t	gastight version of spring housing	for neutral and non-neutral media, not counter pressure compensated. The environment is protected from being affected by the medium. Only available for version with angled body and without lifting device.

■ MEDIUM

G	gaseous	Air and similar neutral and non-neutral gases
----------	---------	---

■ TYPE OF LIFTING MECHANISM

K	Standard with twist-type lifting mechanism
O	without lifting device

■ AVAILABLE NOMINAL DIAMETERS AND CONNECTION SIZES

Nominal diameter DN		10				15		
Inlet		1/4" (8)	3/8" (10)	1/2" (15)	3/4" (20)	3/8" (10)	1/2" (15)	3/4" (20)
Outlet	Atmospheric discharge via outlet apertures	■	■	■	■	■	■	■
	1/2" (15)	■	■	■	■	■	■	■
	3/4" (20)	■	■	■	■	■	■	■
	1" (25)	■	■	■	■	■	■	■

■ TYPE OF CONNECTION INLET / OUTLET THREADED CONNECTIONS

m / -	Standard	Male thread BSP-P / -	DIN EN ISO 228-1 / -
m / f	with positionable angled body	Male thread BSP-P / Female thread BSP-P	DIN EN ISO 228-1 / DIN EN ISO 228-1

■ SEALS

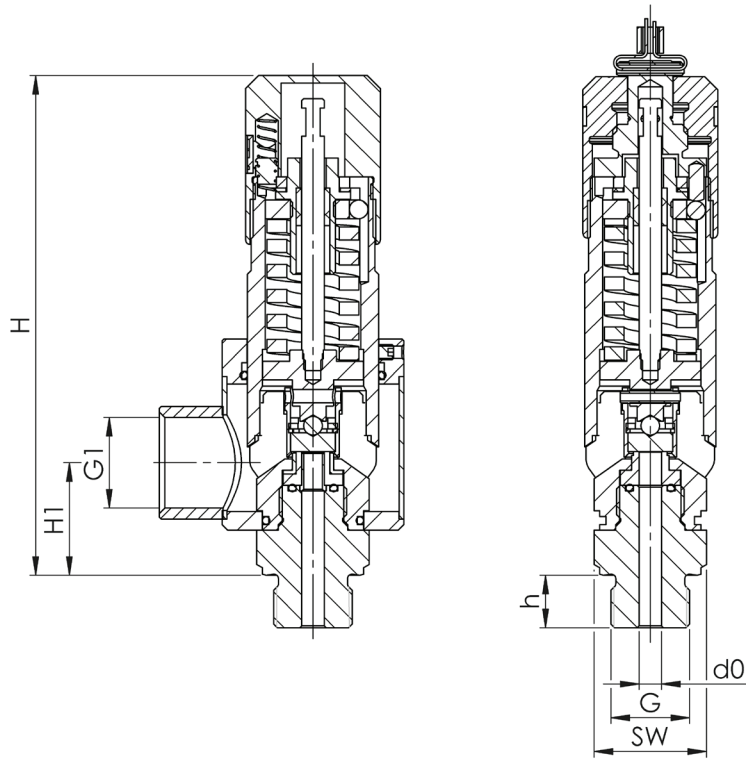
MD / PAI	Metal-to-metal sealing / Polyamidimide	Flat seal 50 – 630 bar	-60°C to +180°C
-----------------	--	------------------------	-----------------

■ NOMINAL DIAMETERS, CONNECTIONS, INSTALLATION DIMENSIONS

Series 492: Connection, installation dimensions, ranges of adjustment								
Nominal diameter	DN	10				15		
Connection DIN EN ISO 228	G	1/4" (8)	3/8" (10)	1/2" (15)	3/4" (20)	3/8" (10)	1/2" (15)	3/4" (20)
	G1'	1/2" (15)	1/2" (15)	1/2" (15)	1/2" (15)	1/2" (15)	1/2" (15)	1/2" (15)
		3/4" (20)	3/4" (20)	3/4" (20)	3/4" (20)	3/4" (20)	3/4" (20)	3/4" (20)
		1" (25)	1" (25)	1" (25)	1" (25)	1" (25)	1" (25)	1" (25)
Installation dimensions in mm	H	133	133	133	133	134	134	134
	H1'	ca. 28	ca. 28	ca. 28	ca. 28	ca. 30	ca. 30	ca. 30
	h	12	12	15	16	12	15	16
	SW	27	27	27	27	30	30	30
	d0	6	6	6	6	9	9	9
Weight	kg	0,74	0,74	0,74	0,74	0,86	0,87	0,92
Range of adjustment	bar	50-500	50-630	50-630	50-630	50-250	50-250	50-250
Range of adjustment ASME	psi	725-7250	725-9135	725-9135	725-9135	725-3625	725-3625	725-3625

*only for the version with positionable angled body and according to choice of outlet connection size

■ MAIN DIMENSIONS, INSTALLATION DIMENSIONS



Series	Valve version	Medium	Lifting device	Nominal diameter DN	Connection type		Connection size		Seal	Options	Set pressure	Quantity
					Inlet	Outlet	Inlet	Outlet				
492	s	G	K	10	m	–	8	–	MD / PAI		70,0	5
492	t	G	O	15	m	f	15	20	MD / PAI		300	2
492		G			m				MD / PAI			
492		G			m				MD / PAI			

■ PROPERTIES

GOX	Especially for gaseous O2 applications by employment of specific materials including oil- and grease free production process	<input type="checkbox"/>	<input type="checkbox"/>
P01	Oil- and grease-free production	<input type="checkbox"/>	<input type="checkbox"/>
		<input type="checkbox"/>	<input type="checkbox"/>

■ CERTIFICATES / APPROVALS

C01	Factory certificate acc. DIN EN 10204 2.2 (WKZ 2.2)	<input type="checkbox"/>	C06	ATEX evaluation acc. to 2014/34/EU	<input type="checkbox"/>
C02	Test certificate acc. DIN EN 10204 3.1 (WPZ 3.1)	<input type="checkbox"/>	C07	SIL evaluation relating to IEC 61508-2	<input type="checkbox"/>
C03	Material test certificate acc. DIN EN 10204 3.1 (MPZ 3.1) (pressure retaining part)	<input type="checkbox"/>	C09	Seat tightness test with helium, leak detection method under vacuum incl. Factory Inspection Certificate 3.1 acc. to DIN EN 10204	<input type="checkbox"/>
C04	TÜV/DEKRA individual inspection acc. EN 10204 3.2 (TÜV/DEKRA-APZ)	<input type="checkbox"/>	C10	Certificate of oil- and grease free production	<input type="checkbox"/>
C05	Manufacturer certification (FDA, USP 3, 3-A, ...), Please indicate description of certificate:	<input type="checkbox"/>	C11	Certification of the production process especially for gaseous oxygen applications by employment of specific materials	<input type="checkbox"/>

■ ADMISSIONS / ACCREDITATIONS

AA1	EC Type examination acc. to Directive 2014/68/EU	<input type="checkbox"/>	AK1	DNV-GL (DNVGL) type approval	<input type="checkbox"/>
AA2	TÜV component test acc. to VdTÜV specification sheet SV 100	<input type="checkbox"/>	AK2	Lloyd's Register (LR) type approval	<input type="checkbox"/>
AA3	Certification acc. to ASME Boiler and Pressure Vessel Code, Section VIII.Div 1 (ASME)	<input type="checkbox"/>	AK3	American Bureau of Shipping (ABS) type approval	<input type="checkbox"/>
AA4	EAC - certificate/declaration with passport for the valve and laser marking of the valve	<input type="checkbox"/>	AK4	Bureau Veritas (BV) type approval	<input type="checkbox"/>
AA5	Manufacture License of Special Equipment People's Republic of China (ML)	<input type="checkbox"/>	AK5	Russian Maritime Register of Shipping (RMRS) type approval	<input type="checkbox"/>
AA6	Certification acc. to. Korean Gas Safety Corporation (KGS) ³	<input type="checkbox"/>	AK6	Registro Italiano Navale (RINA) type approval	<input type="checkbox"/>
AA7	Registration according to Canadian Registration Number (CRN) ⁴	<input type="checkbox"/>	AL	Individual inspection by notified body inspector – (body to be indicated):	<input type="checkbox"/>

³KGS only in combination with ASME | ⁴CRN only in combination with ASME

■ ENQUIRY

Copy and send to: order@goetze-armaturen.de.

Order form easily to be found online under the section for each series.

Series 492: Blowing-off rates at 10% above set pressure			
Nominal diameter DN		10	15
Set pressure bar			
Air Nm ³ /h	50	787	1867
	60	941	2233
	70	1095	2600
	80	1250	2967
	90	1404	3333
	100	1559	3700
	110	1713	4067
	120	1868	4433
	130	2022	4800
	140	2177	5167
	150	2331	5533
	160	2486	5900
	170	2640	6266
	180	2795	6633
	190	2949	7000
	200	3104	7366
	210	3258	7733
	220	3413	8100
	230	3567	8466
	240	3722	8833
	250	3876	9200
	260	4031	
	270	4185	
	280	4340	
	290	4494	
	300	4649	
	310	4803	
	320	4958	
	330	5112	
	340	5267	
	350	5421	
	360	5576	
	370	5730	
	380	5885	
390	6039		
400	6194		
410	6348		
420	6503		
430	6657		
440	6812		
450	6966		
460	7121		
470	7275		
480	7430		
490	7584		
500	7739		
510	7893		
520	8048		
530	8202		
540	8357		
550	8511		
560	8666		
570	8820		
580	8975		
590	9129		
600	9284		
610	9438		
620	9593		
630	9747		

Series 492: Blowing-off rates at 10% above set pressure			
	Nominal diameter DN Set pressure psi(g)	10	15
Air SCFM	725	497	1092
	750	562	1234
	775	580	1275
	800	599	1315
	850	635	1396
	900	672	1477
	950	709	1558
	1000	746	1639
	1100	819	1800
	1200	893	1962
	1300	967	2124
	1400	1040	2285
	1500	1114	2447
	1600	1187	2609
	1700	1261	2771
	1800	1334	2932
	1900	1408	3094
	2000	1482	3256
	2100	1555	3417
	2200	1629	3579
	2300	1702	3741
	2400	1776	3902
	2500	1850	4064
	2600	1923	4226
	2700	1997	4388
	2800	2070	4549
	2900	2144	4711
	3000	2218	4873
	3100	2291	5034
	3200	2365	5196
	3300	2438	5358
	3400	2512	5519
	3500	2585	5681
	3600	2659	5843
	3625	2677	5883
	3700	2733	
	3900	2880	
	4000	2953	
	4200	3101	
	4400	3248	
	4600	3395	
	4800	3542	
5000	3689		
5200	3837		
5400	3984		
5600	4131		
5800	4278		
6000	4425		
6200	4572		
6400	4720		
6600	4867		
6800	5014		
7000	5161		
7200	5308		
7400	5455		
7600	5603		
7800	5750		
8000	5897		
8200	6044		
8400	6191		
8600	6339		
8800	6486		
9000	6633		
9135	6732		